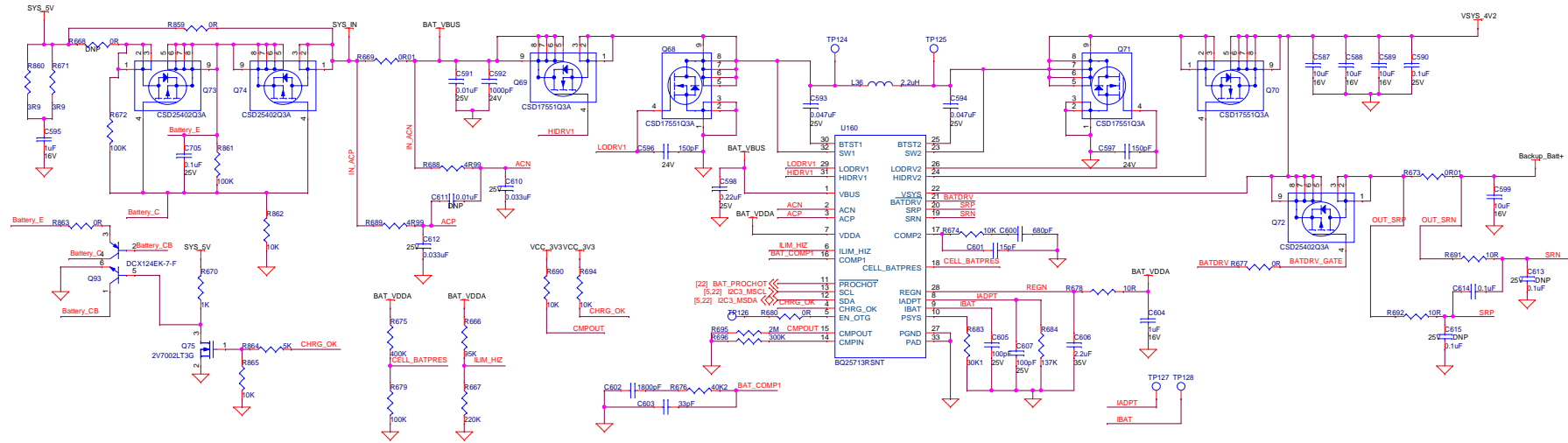
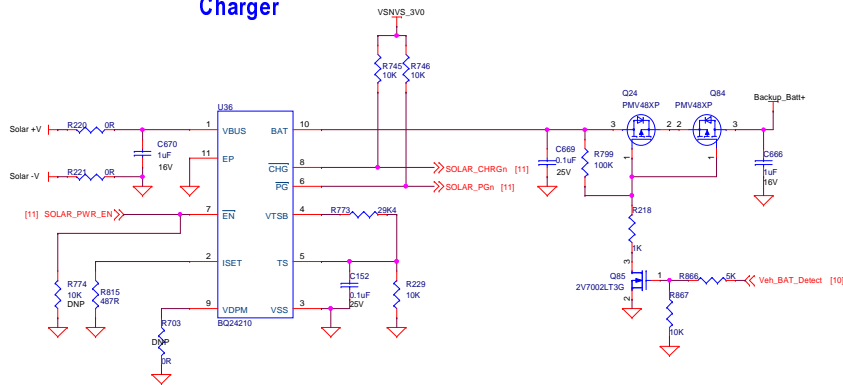


Battery Management Section

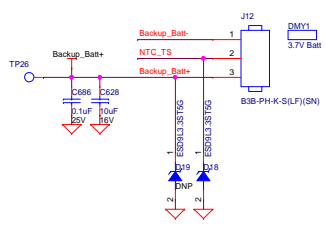
Battery Charger



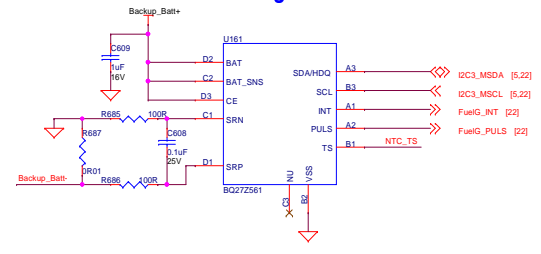
Solar Panel Charger



BackUP Battery Interface



Fuel Gauge



CONFIDENTIALITY NOTICE

COPYRIGHT © 2017 VOLANSYS - ALL RIGHTS RESERVED

THIS DOCUMENT IS AUTHORED BY VOLANSYS AND IS VOLANSYS' INTELLECTUAL PROPERTY, INCLUDING THE COPYRIGHTS IN ALL COUNTRIES IN THE WORLD. THIS DOCUMENT IS PROVIDED UNDER LICENSE TO USE ONLY WITH ALL OTHER RIGHTS, INCLUDING OWNERSHIP RIGHTS, BEING RETAINED BY VOLANSYS. THIS FILE MAY NOT BE DISTRIBUTED, COPIED OR REPRODUCED IN ANY MANNER, ELECTRONIC OR OTHERWISE, WITHOUT THE EXPRESS WRITTEN CONSENT OF VOLANSYS.

VOLANSYS
VOLANSYS TECHNOLOGIES PVT. LTD.

Block A, Floor 7, Satal Profiles
Corporate Road, Pashlindanagar
Ahmedabad, Gujarat - 380015, IN
www.volansys.com

File			
Battery Management			
Size	Document Number	FileName	Rev
C	02-0025-0-1	<FILE NAME>	0.0.1
Date:	Thu 09 Jun 2017 12:30:38	Sheet	5 of 25
02:06:20:06:31:10:11:13:44:25			